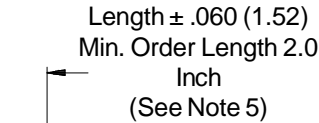
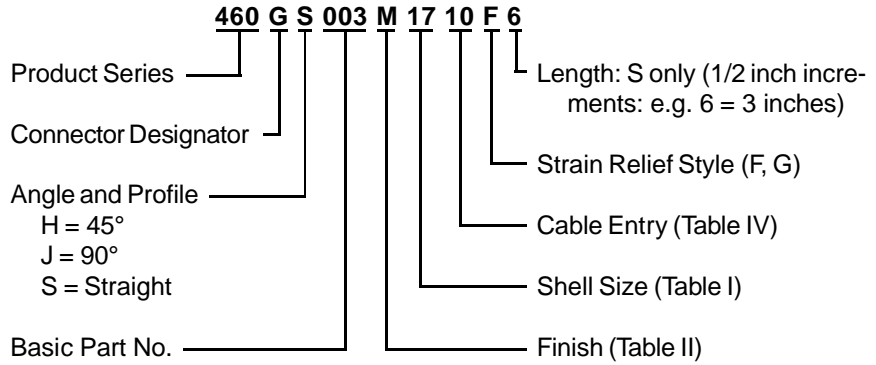
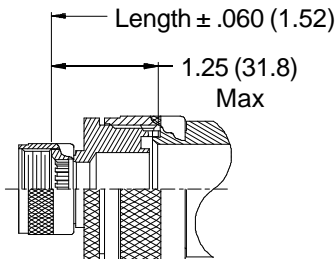
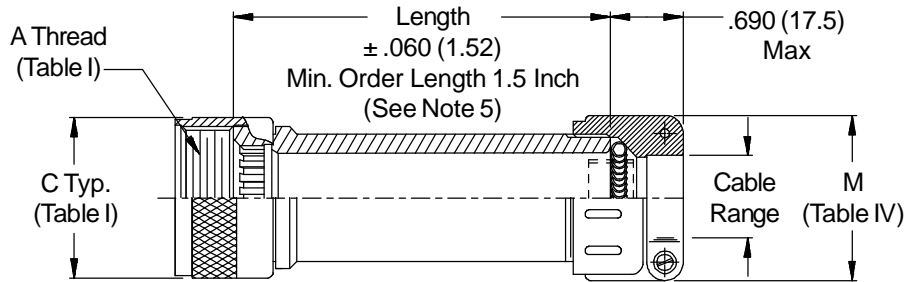


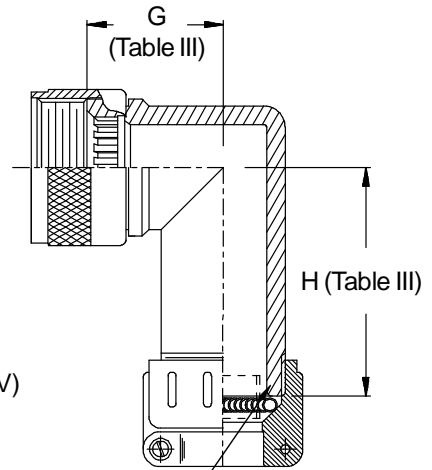
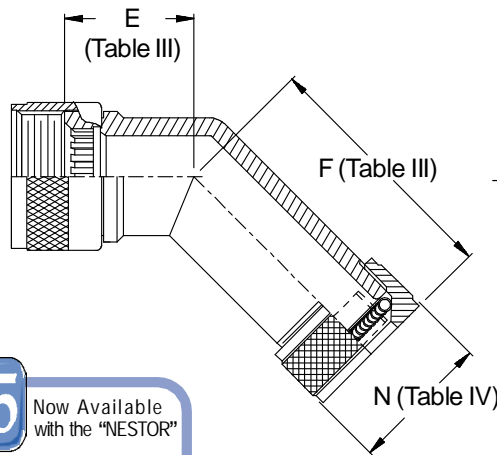
**CONNECTOR
 DESIGNATOR**
G
**ROTATABLE
 COUPLING**



**STYLE 2
 (STRAIGHT
 See Note 1)**



**STYLE 2
 (45° & 90°
 See Note 1)**



-445 Now Available with the "NESTOR"

Add "-445" to Specify Glenair's Non-Detent, Spring-Loaded, Self-Locking Coupling. See Page 41 for Details.

469-001-XX Shield Support Ring (order separately) is recommended for use in all G-Spring backshells (see page 463-8)

460-003
EMI/RFI Non-Environmental G-Spring Backshell
with Strain Relief
Rotatable Coupling - Standard Profile



460

See inside back cover
 fold-out or pages 13 and
 14 for Tables I and II.

TABLE III: ELBOW DIMENSIONS				
Shell Size	E Max	F Max	G Max	H Max
11	1.240 (31.5)	.980 (24.9)	1.380 (35.1)	1.120 (28.4)
13	1.260 (32.0)	1.000 (25.4)	1.440 (36.6)	1.180 (30.0)
15	1.290 (32.8)	1.030 (26.2)	1.500 (38.1)	1.250 (31.8)
17	1.310 (33.3)	1.050 (26.7)	1.570 (39.9)	1.310 (33.3)
19	1.340 (34.0)	1.080 (27.4)	1.630 (41.4)	1.390 (35.3)
23	1.380 (35.1)	1.120 (28.4)	1.730 (43.9)	1.470 (37.3)
25	1.410 (35.8)	1.150 (29.2)	1.800 (45.7)	1.540 (39.1)
29	1.580 (40.1)	1.320 (33.5)	2.040 (51.8)	1.780 (45.2)
33	1.620 (41.1)	1.360 (34.5)	2.130 (54.1)	1.870 (47.5)

TABLE IV: CABLE ENTRY						
Dash No.	M Max	N Max	Cable Range			
			Min	Max		
01	.843 (21.4)	.625 (15.9)	.156 (4.0)	.250 (6.4)		
02	.968 (24.6)	.750 (19.1)	.188 (4.8)	.375 (9.5)		
03	1.046 (26.6)	.875 (22.2)	.250 (6.4)	.438 (11.1)		
04	1.156 (29.4)	1.000 (25.4)	.280 (7.1)	.500 (12.7)		
05	1.218 (30.9)	1.125 (28.6)	.375 (9.5)	.625 (15.9)		
06	1.343 (34.1)	1.250 (31.8)	.500 (12.7)	.750 (19.1)		
07	1.468 (37.3)	1.375 (34.9)	.625 (15.9)	.875 (22.2)		
08	1.593 (40.5)	1.500 (38.1)	.750 (19.1)	1.000 (25.4)		
09	1.718 (43.6)	1.625 (41.3)	.875 (22.2)	1.125 (28.6)		
10	1.843 (46.8)	1.750 (44.5)	1.000 (25.4)	1.250 (31.8)		
11*	2.187 (55.5)	1.875 (47.6)	1.125 (28.6)	1.375 (34.9)		
12*	2.312 (58.7)	2.000 (50.8)	1.250 (31.8)	1.500 (38.1)		
13*	2.437 (61.9)	2.125 (54.0)	1.375 (34.9)	1.625 (41.3)		
14*	2.546 (64.7)	2.250 (57.2)	1.500 (38.1)	1.750 (44.5)		

* Consult factory for availability

1. Shield Support Ring (469-001-XX) is recommended for use in all G-Spring backshells (see page 463-8).
2. When maximum cable entry (page 21) is exceeded, Style 2 will be supplied. Dimensions E, F, G and H will not apply. Please consult factory.
3. Metric dimensions (mm) are indicated in parentheses.
4. Cable range is defined as the accommodations range for the wire bundle or cable. Dimensions shown are not intended for inspection criteria.
5. Consult factory for shorter lengths on straight backshells.